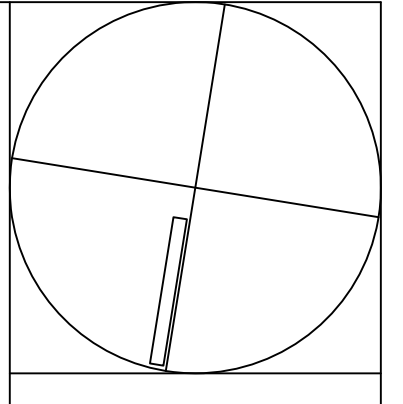


A FURNITURE LAYOUT LIVING ROOM OPTION A
 SCALE: 3/16"=1'-0"



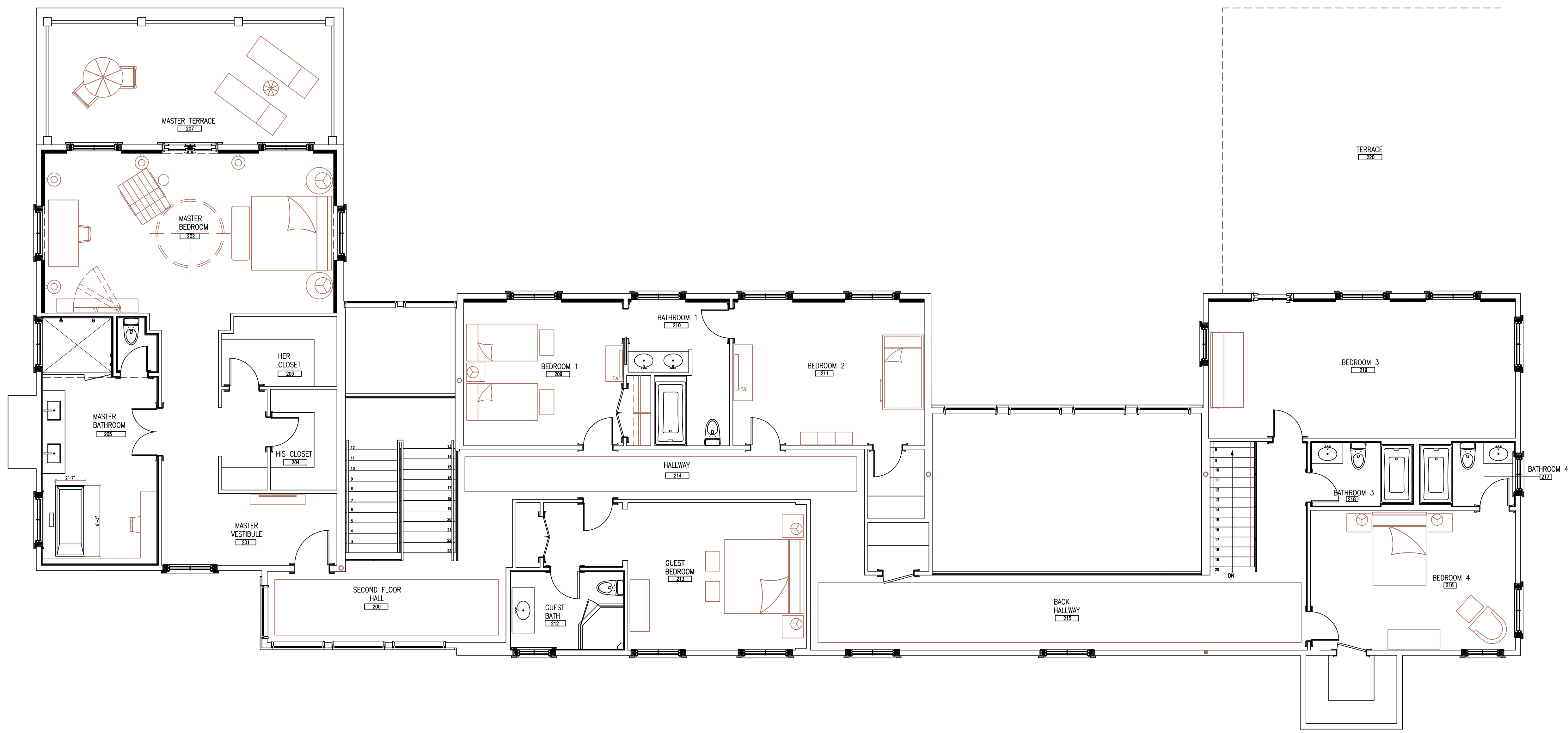
TIMOTHY HAYNES ARCHITECT LLP
 601 WEST 26TH STREET - SUITE 1655- NEW YORK - NEW YORK - 10001
 TEL: 212 633 0515 FAX: 212 989 1908

POLLEY RESIDENCE
 WICKAPOGUE ROAD
 SOUTHAMPTON, NY 11968

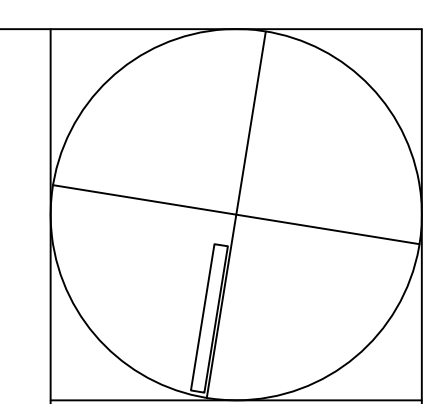
DATE : 04/04/09
 REVISIONS: 05/06/09

SCALE AS NOTED
 TITLE
 FIRST FLOOR FURNITURE LAYOUT

FL-1.0



A FURNITURE LAYOUT
SCALE: 3/16"=1'-0"

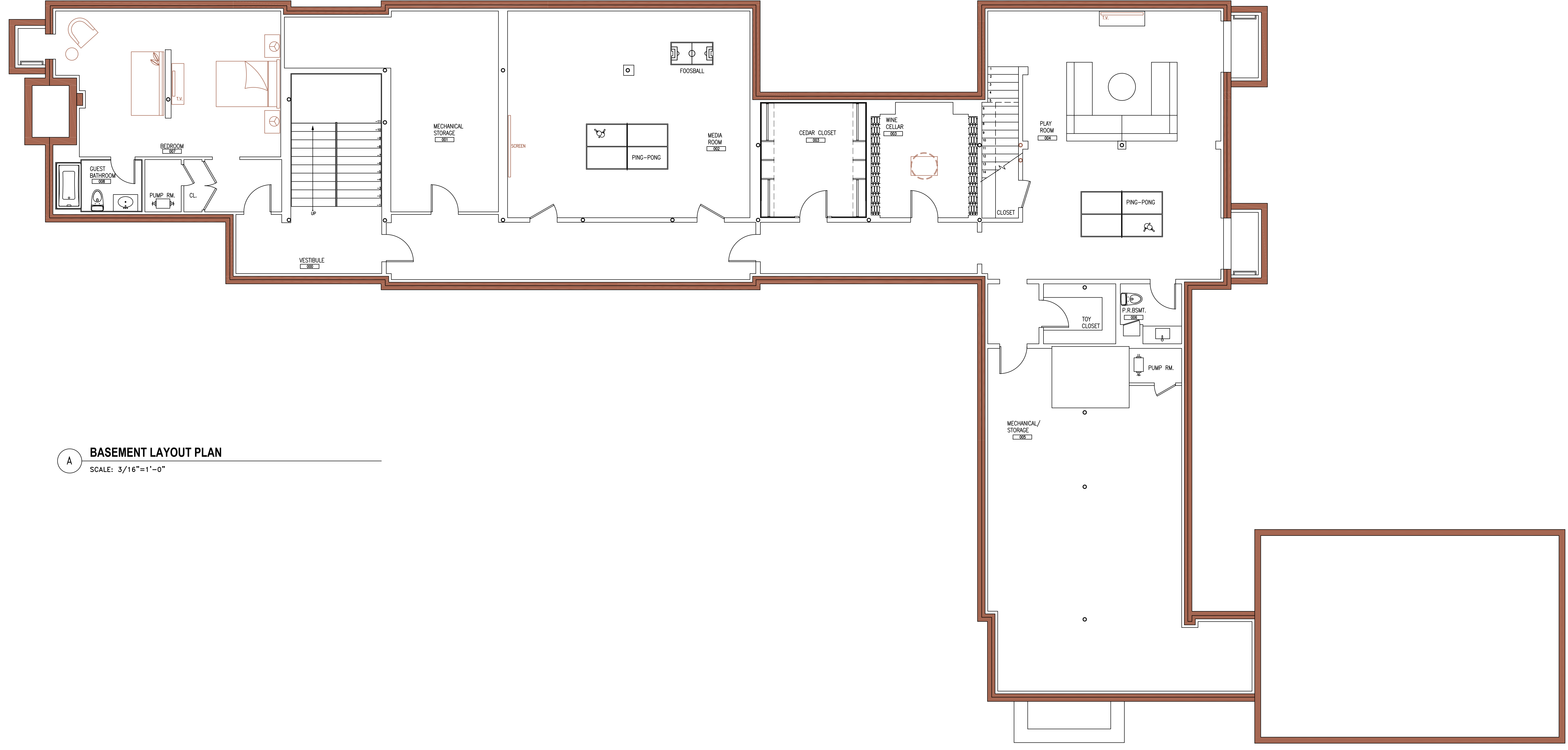


TIMOTHY HAYNES ARCHITECT LLP
601 WEST 26TH STREET - SUITE 1655- NEW YORK - NEW YORK - 10001
TEL: 212 633 0515 FAX: 212 989 1908

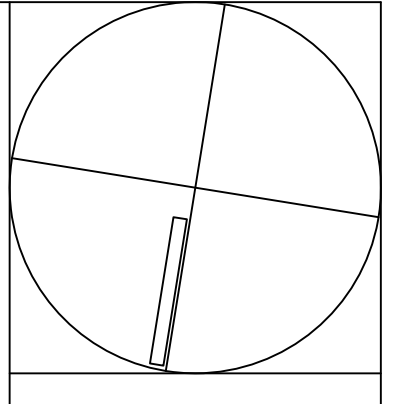
POLLEY RESIDENCE
WICKAPOGUE ROAD
SOUTHAMPTON, NY 11968

SCALE AS NOTED	DATE : 06/25/08
TITLE	REVISIONS: 05/21/09
SECOND FLOOR FURNITURE LAYOUT	

FL-2.0



A BASEMENT LAYOUT PLAN
SCALE: 3/16"=1'-0"



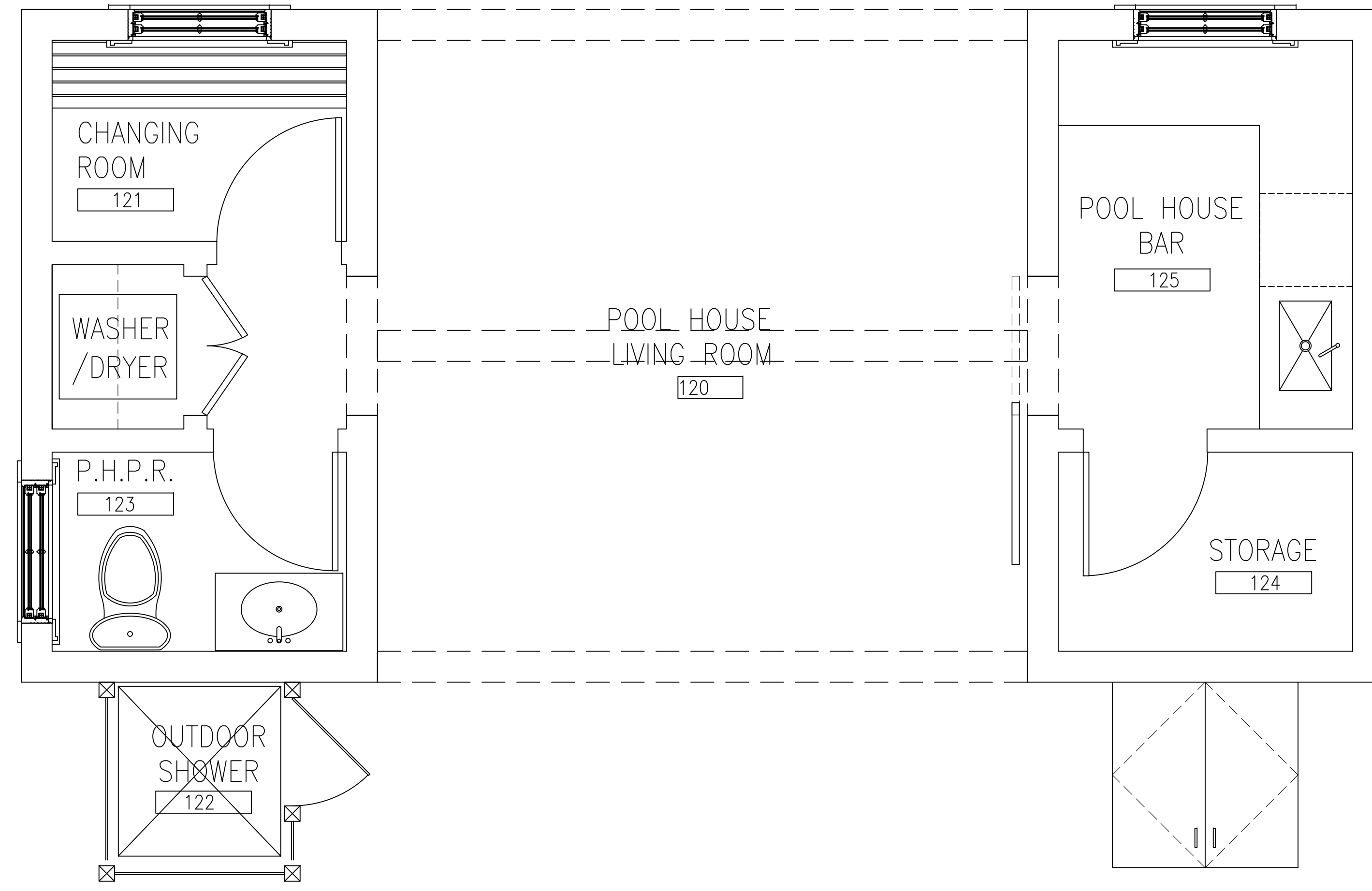
TIMOTHY HAYNES ARCHITECT LLP
601 WEST 26TH STREET - SUITE 1655- NEW YORK - NEW YORK - 10001
TEL: 212 633 0515 FAX: 212 989 1908

POLLEY RESIDENCE
WICKAPOGUE ROAD
SOUTHAMPTON, NY 11968

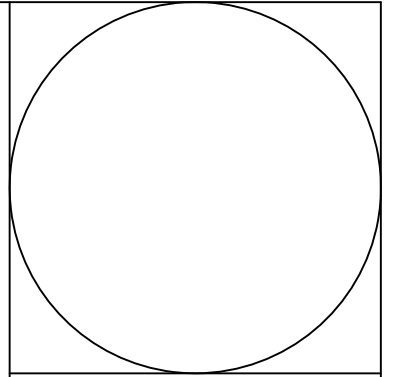
DATE : 09/22/09
REVISIONS:

SCALE AS NOTED
TITLE
BASEMENT LAYOUT PLAN

FR-1.5



A POOL HOUSE
SCALE: 1/2"=1'-0"



TIMOTHY HAYNES ARCHITECT LLP
601 WEST 26TH STREET - SUITE 1655- NEW YORK - NEW YORK - 10001
TEL: 212 633 0515 FAX: 212 989 1908

POLLEY RESIDENCE
WICKAPOGUE ROAD
SOUTHAMPTON, NY 11968

SCALE AS NOTED	DATE : 09/22/09
TITLE POOL HOUSE	REVISIONS:

FR-1.6